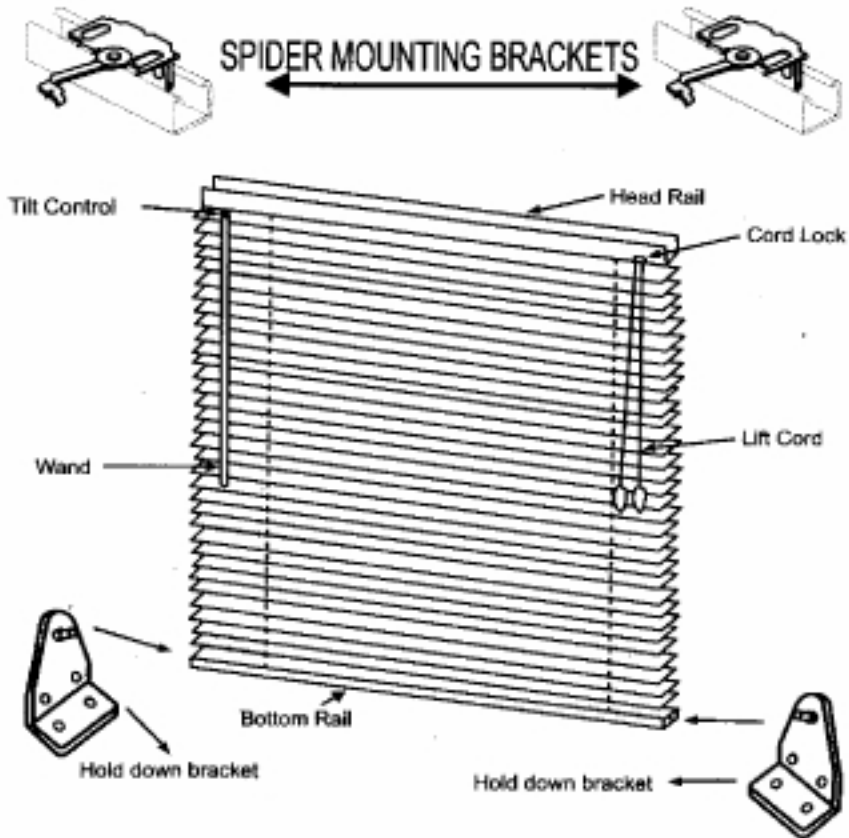
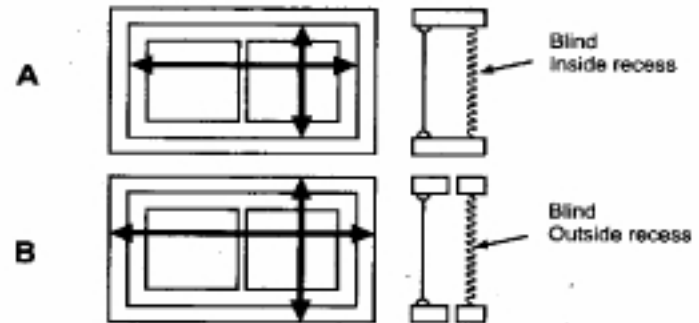


INSTALLATION INSTRUCTION ALUMINIUM BLIND

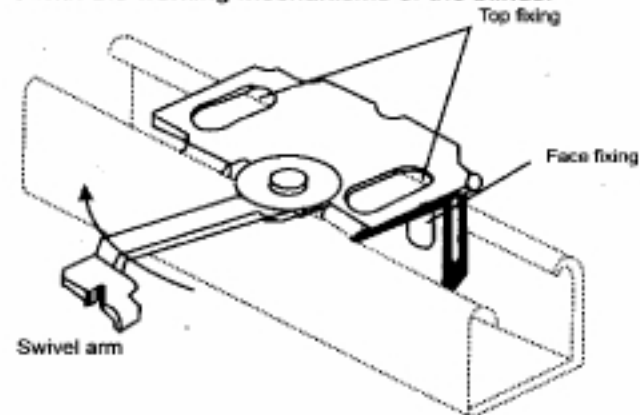


ACCESSORIES ENCLOSED

- (1) 2-4 pieces of spider mounting brackets
- (2) 1 piece of wand tilter
- (3) 4-8 pieces of 6 x 3/4" screw for bracket
- (4) 2 pieces of hold down bracket
- (5) 4 pieces of 6 x 3/4" screw for hold down bracket



1. Measure where you require the blind to be hung. The blind may be fitted inside (A) or outside (B) the recess.
2. Position the spider mounting brackets for fixing either face or top ensuring that the spider mounting brackets are fixed approximately 5 cms from the end of the blind.
The center spider mounting bracket (require for blind exceeding 120 cms width) may be positioned as required.
NB. Make sure not to position the spider mounting brackets where they would interfere with the working mechanisms of the blinds.



3. Now present the blind to the spider mounting bracket ensuring that the lugs position snugly under the front rim of the head rail. Then push the locking arm until it is pressed against the head rail.
4. Insert bottom rail into the pin of the hold down bracket. (Optional!)